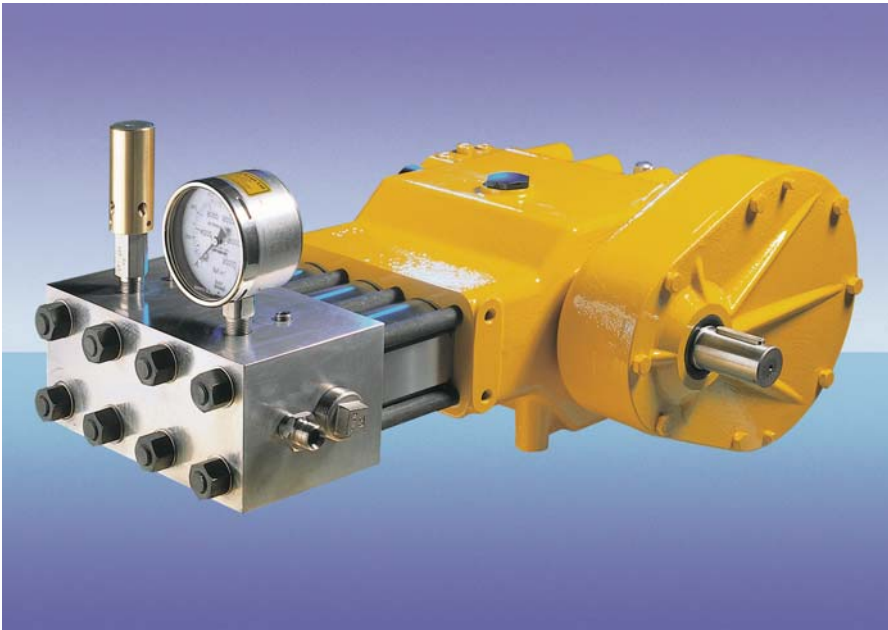




HPS1000

HIGH PRESSURE TRIPLEX PUMP



Pump Head Type	Plungers (High Pressure)						Plungers (Intermediate)			
	22	24	26	28	30	35	40	45	50	
Diameter - mm	22	24	26	28	30	35	40	45	50	
Input Power - kW	65	75						75		
Pump Speed - rpm	500						500			
Flow Rate - l/min	34	41	47	54	63	86	113	143	177	
Pressure - bar	1000	982	841	731	627	462	351	275	224	

Flow Rates indicated are swept volume at maximum speed

A robust design, the HPS1000 has a specification producing a heavy duty capability for dealing with the more difficult problems of industry.

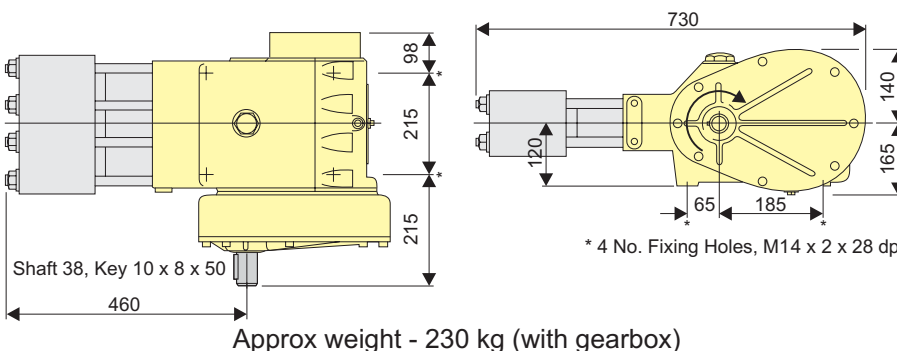
The close coupled, gear driven power end has pressure lubrication, filtration and oil cooling. Standard adaptor housings are available enabling the pump to be flange mounted to a diesel engine flywheel housing or electric motor ensuring extremely

compact and perfectly aligned installations.

For maximum hydraulic efficiency, the in-line valve pump head arrangement is designed to minimise the unswept volume.

This improved design is capable of high pressure to high volume with outstanding seal, plunger and valve life.

General Dimensions - typical pump build



Features:

- * Robust, rugged and reliable
- * Versatile (interchangeable fluid heads and plunger kits)
- * Stainless steel fluid heads (431 standard or 316)
- * 75 kW (100 hp) input
- * Hardened, alloy steel crankshaft with heavy duty roller and steel backed white metal main bearings, supported between each connecting rod
- * SG iron crankcase with pressure lubrication, filtration and oil cooling
- * Forged connecting rods with low friction, shell type big end bearings and lead bronze lined small end bushes

Build Options:

- * Choice of gear ratio to suit electric motor or diesel engine drive
- * Standard adaptor housings (SAE 2 & 3) for flange mounting the pump to a diesel engine flywheel housing or electric motor
- * Piston kits for high volume applications
- * Safety relief valves
- * Unloading valves
- * Selector/Diverter valves (manual or actuated)
- * Complete unit build or bare shaft pump only



Ultra High Waterblasters (Aus) Pty Ltd

9 Deebling Street, West Ipswich, Qld 4305

Phone: +61 (07) 3812 1112 Fax: +61 (07) 3812 1115

Email: info@auswaterblasters.com.au

Website: www.auswaterblasters.com.au

In line with the Company's policy of research and development, alterations in design, dimensions and appearance are incorporated from time to time in order to ensure that important developments are included at the earliest opportunity. The Company, therefore, reserves the right to alter design, dimensions etc without notice.